

# G212 – 3U CompactPCI® Serial PCIe® Mini Card Carrier for Wireless Functions

- Up to 2 PCI Express® Mini Cards (full-size)
- ExpressCard®/34 or 54 modules optional
- For cards with internal PCIe® and USB interface
- For HF applications (WLAN, UMTS, GPS, GSM, HSDPA)
- -40 to +85°C screened
- PICMG CPCI-5.0 CompactPCI® Serial peripheral card



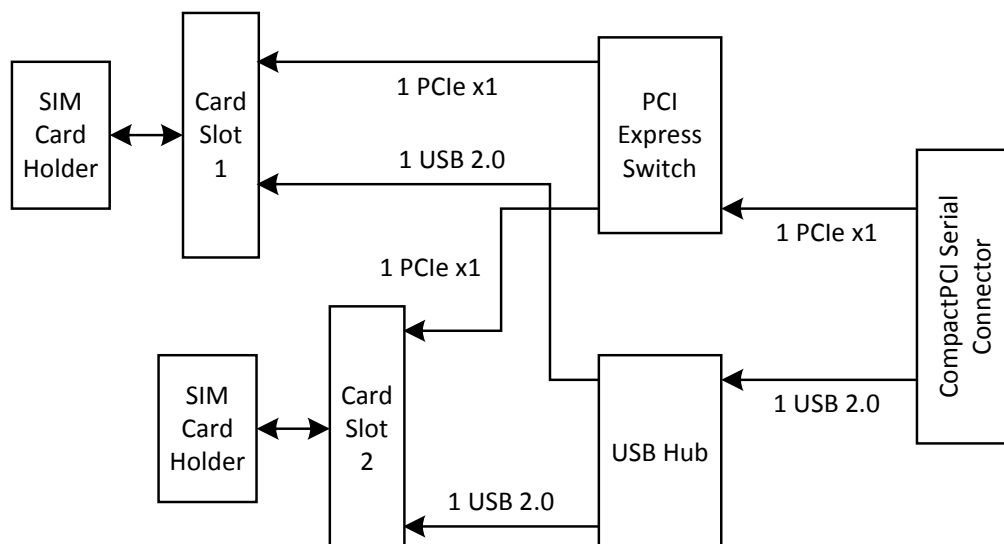
The G212 is a rugged single Eurocard CompactPCI® Serial carrier board supporting the PCI Express® Mini Card standard or, as an option, the ExpressCard® standard. ExpressCard® is the successor of the CardBus standard and offers different construction sizes as well as connection via PCI Express® or USB 2.0. The standard version of the G212 offers two PCI Express® Mini Card slots. It allows to use all types of cards for HF applications, for example GPS, WLAN,

UMTS, GSM, or HSDPA. Each card is connected to two robust redundant external SMA antenna connectors at the front panel of the G212.

Using these standard cards that give access to the whole world of common notebook PC expansions is a fast and easy way to extend the functionality of a CompactPCI® Serial system as well.

The G212 is designed for -40 to +85°C operating temperature and prepared for conformal coating in order to be used also in harsh and mobile environments. The final environmental qualification depends on the respective cards used on the carrier.

## Diagram



## Technical Data

<b>Card Interfaces</b>	<ul style="list-style-type: none"><li>■ Two PCI Express® Mini Cards (only full size) or</li><li>■ Two ExpressCard®/34 modules</li><li>■ One ExpressCard®/54 module</li><li>■ SIM card holder</li><li>■ USB and PCI Express® interface</li><li>■ Please note that MEN does not offer SIM cards or mobile telephony contracts!</li></ul>
<b>Front Connections</b>	<ul style="list-style-type: none"><li>■ Four Reverse SMA antenna connectors</li></ul>
<b>CompactPCI® Serial</b>	<ul style="list-style-type: none"><li>■ Compliance with CompactPCI® Serial PICMG CPCI-S.0 Specification</li><li>■ Peripheral slot</li><li>■ Host interface: one PCI Express® x1 link and a differential pair of USB lines<ul style="list-style-type: none"><li>□ PCIe® 1.1: Data rate up to 250 MB/s in each direction (2.5 Gbit/s per lane)</li><li>□ USB 2.0: Data rate up to 480 Mbit/s</li></ul></li></ul>
<b>Electrical Specifications</b>	<ul style="list-style-type: none"><li>■ Supply voltage/power consumption:<ul style="list-style-type: none"><li>□ +12V (-10%/+10%), depending on plugged card, 0.1A max. w/o card</li></ul></li></ul>
<b>Mechanical Specifications</b>	<ul style="list-style-type: none"><li>■ Dimensions: conforming to CompactPCI® Serial specification for 3U boards</li><li>■ Front panel: 4HP or 8HP with ejector</li><li>■ Weight: 134g (without cards)</li></ul>
<b>Environmental Specifications</b>	<ul style="list-style-type: none"><li>■ Temperature range (operation):<ul style="list-style-type: none"><li>□ -40..+85°C (screened, only carrier, depending on configuration)</li><li>□ Airflow: min. 1.0 m/s</li></ul></li><li>■ Temperature range (storage): -40..+85°C</li><li>■ Relative humidity (operation): max. 95% non-condensing</li><li>■ Relative humidity (storage): max. 95% non-condensing</li><li>■ Altitude: -300m to + 3,000m</li><li>■ Shock: 15g/11ms</li><li>■ Bump: 10g/16ms</li><li>■ Vibration (sinusoidal): 1g/10..150Hz</li><li>■ Conformal coating on request</li></ul>
<b>MTBF</b>	<ul style="list-style-type: none"><li>■ MTBF: 2,534,034h @ 40°C according to IEC/TR 62380 (RDF 2000)</li></ul>
<b>Safety</b>	<ul style="list-style-type: none"><li>■ PCB manufactured with a flammability rating of 94V-0 by UL recognized manufacturers</li></ul>
<b>EMC</b>	<ul style="list-style-type: none"><li>■ Conforming to EN 55022 (radio disturbance), IEC1000-4-2 (ESD) and IEC1000-4-4 (burst)</li></ul>
<b>Software Support</b>	<ul style="list-style-type: none"><li>■ PCIe® Mini Card and ExpressCard® drivers as supported</li></ul>

## Configuration & Options

### Standard Configurations

Article No.	Card Slots	Front Panel	Operation Temperature
02G212-00	2 PCIe MiniCards	4 SMA connectors	-40..+85°C

### Options

<b>Card Slots</b>	<ul style="list-style-type: none"> <li>■ Two PCI Express® Mini Cards</li> <li>■ Two ExpressCard®/34 modules</li> <li>■ One ExpressCard®/54 module</li> </ul>
<b>I/O</b>	<ul style="list-style-type: none"> <li>■ 4 USB interfaces at the front</li> </ul>
<b>Cooling Concept</b>	<ul style="list-style-type: none"> <li>■ Also available with conduction cooling in MEN CCA frame</li> </ul>

Please note that some of these options may only be available for large volumes. Please ask our sales staff for more information.

## Ordering Information

<b>Standard G212 Models</b>	<b>02G212-00</b>	2 PCI Express® Mini Card slots (USB and PCIe®), -40..+85°C screened
<b>Related Hardware</b>	<b>15PX04-00</b>	Audio interface for mobile wireless cards, with SIM card holder, -40..+85°C screened
<b>PCI Express® Mini Cards</b>	<b>15PX01-00</b>	GLONASS & GPS PCI Express® MiniCard (full size), 3-axis Gyro sensor, -40..+85°C with qualified components
<b>Documentation</b>	Compare Chart 3U CompactPCI® Serial CPU and I/O cards » <a href="#">Download</a> Compare Chart 3U CompactPCI® / PlusIO CPU cards » <a href="#">Download</a> <b>20G212-00</b> G212 User Manual	

## Contact Information

---

### Germany

MEN Mikro Elektronik GmbH  
Neuwieder Straße 3-7  
90411 Nuremberg  
Phone +49-911-99 33 5-0  
Fax +49-911-99 33 5-901

info@men.de  
www.men.de

### France

MEN Mikro Elektronik SAS  
18, rue René Cassin  
ZA de la Châtelaine  
74240 Gaillard  
Phone +33 (0) 450-955-312  
Fax +33 (0) 450-955-211

info@men-france.fr  
www.men-france.fr

### USA

MEN Micro Inc.  
860 Penllyn Blue Bell Pike  
Blue Bell, PA 19422  
Phone (215) 542-9575  
Fax (215) 542-9577

sales@menmicro.com  
www.menmicro.com

*The date of issue stated in this data sheet refers to the Technical Data only. Changes in ordering information given herein do not affect the date of issue. All brand or product names are trademarks or registered trademarks of their respective holders.*

*MEN is not responsible for the results of any actions taken on the basis of information in the publication, nor for any error in or omission from the publication.*

*MEN expressly disclaims all and any liability and responsibility to any person, whether a reader of the publication or not, in respect of anything, and of the consequences of anything, done or omitted to be done by any such person in reliance, whether wholly or partially, on the whole or any part of the contents of the publication.*

*The correct function of MEN products in mission-critical and life-critical applications is limited to the environmental specification given for each product in the technical user manual. The correct function of MEN products under extended environmental conditions is limited to the individual requirement specification and subsequent validation documents for each product for the applicable use case and has to be agreed upon in writing by MEN and the customer. Should the customer purchase or use MEN products for any unintended or unauthorized application, the customer shall indemnify and hold MEN and its officers, employees, subsidiaries, affiliates, and distributors harmless against all claims, costs, damages, and expenses, and reasonable attorney fees arising out of, directly or indirectly, any claim or personal injury or death associated with such unintended or unauthorized use, even if such claim alleges that MEN was negligent regarding the design or manufacture of the part.*

*In no case is MEN liable for the correct function of the technical installation where MEN products are a part of.*

Copyright © 2015 MEN Mikro Elektronik GmbH. All rights reserved.