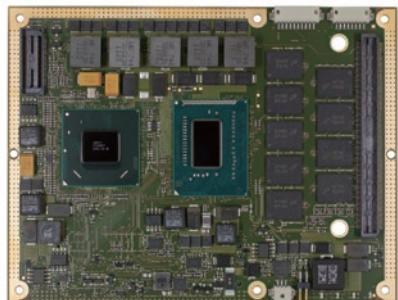


**NEW**



### Features

- 3rd Generation Intel® Core™ i7 Platform
- 16 GB DDR3 ECC RAM maximum. Supports ruggedized XR-DIMM™ modules.
- Three Digital Display Interfaces, LVDS, VGA
- 1x Gigabit Ethernet with AMT 8.0
- 4x USB 3.0 / 2.0 host ports, 4x USB 2.0 host ports
- 2x SATA 3 Gb/s, 2x SATA 6 Gb/s. RAID 0, 1, 5, 10
- Trusted Platform Module (TPM)
- Supports Smart Embedded Management Agent (SEMA) functions

### Specifications

#### Core System

Chipset	Mobile Intel® QM77 Express
Processor	Intel® Core™ i7-3612QE Quad Core (2.1/3.1 GHz)
BIOS	AMI BIOS
	BIOS parameters are saved on flash
Memory	16 GB DDR3-1333 ECC RAM maximum
	- 8 GB soldered
	- 8 GB XR-DIMM™ module optional
Memory Clock	DDR3-1333/1066
Watchdog	Yes SEMA
Status LED	Power, power mode, SMC activity, watchdog
PCI Express Bus	7 x1 lanes (5.0 GT/s)
	1 x16 lane or PEG (8.0 GT/s)
LPC Bus	Yes
SPI Bus	Yes
SMB Bus	Yes
I²C Bus	Yes
SEMA	Yes, for Condition Monitoring and housekeeping

#### TPM

Infinion SLB9635 TT 1.2

#### Video

Graphics	Intel® HD Graphics
	2560 x 1920 pixels
VGA	Yes
LVDS	18/24-bit dual channel, up to 1600 x 1200
	Interleave mode: 1900 x 1200

#### Audio

Intel® HD Audio, external codec required

#### Power

Power Supply	5 to 14 V only
	25 to 55 watts
Power Consumption	Depends on processor type

#### Multi I/O and Storage

USB	4x USB 3.0/2.0 host ports
Ethernet	Gigabit Ethernet
	Integrated in chipset, with 82579 PHY
SATA	AMT 8.0 support
	2x SATA 6 Gb/s
	2x SATA 3 Gb/s
	Supports for RAID 0, 1, 5, 10

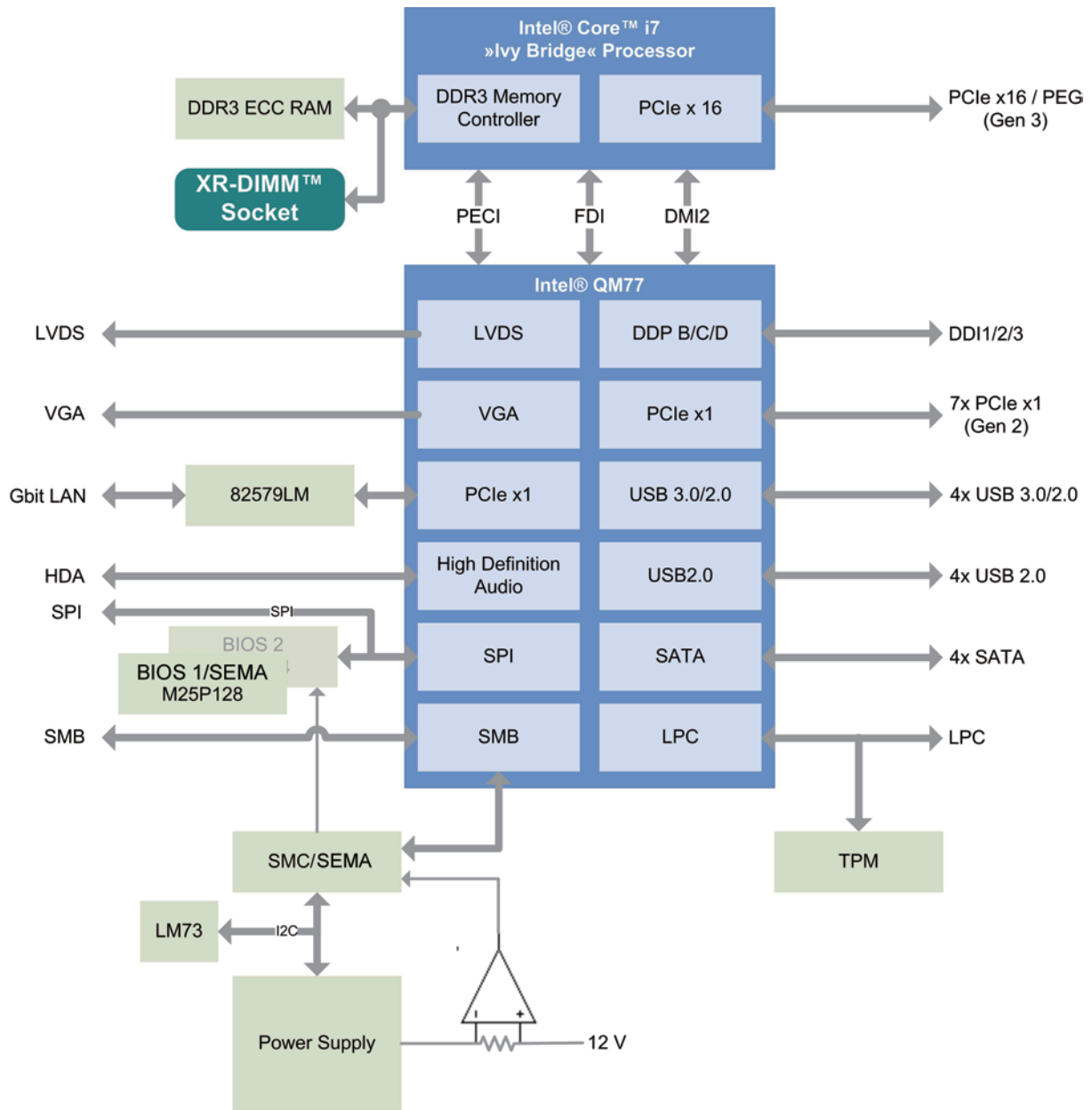
#### Mechanical and Environmental

Cooling	Active
	Heat spreader included
Operating Temperature	Standard: -20°C to +70°C
	Extended: -40°C to +85°C
MTBF	TBD, hours @ 25°C

#### Operating Systems

Standard Support	Windows 7, Windows Embedded Standard 7, Linux, VxWorks 6.9, QNX 6.5.0
------------------	---

## Functional Diagram



## Ordering Information

### Modules

Model Number	Description/Configuration
709-0024-10	COM Express Express-IBER (T6), i7-3612QE (2.1/3.1GHz) Quad Core, 4GB ECC, 0°C to 60°C
809-0024-10	COM Express Express-IBER (T6), i7-3612QE (2.1/3.1GHz) Quad Core, 4GB ECC, -20°C to 70°C
909-0024-10	COM Express Express-IBER (T6), i7-3612QE (2.1/3.1GHz) Quad Core, 4GB ECC, -40°C to 85°C