



# EXP237

## XMC Expansion Card for VME Systems

### Features

- Provides three additional XMC/PMC expansion sites via PCI Express (PCIe) to the Host Processor through on-board connector
  - One 133 MHz
  - Two 100 MHz
- VITA 42.3 compliant
- Integrated ATI Radeon E2400 Graphics Processing Unit delivering 2D, 3D, and multimedia graphics performance to embedded systems
- Expansion sites configured as:
  - Three 3.3V/5.0V PMC sites
  - Three XMC sites
- Optional x8 PCIe Video Port with two XMC/PMC expansion sites:
  - Two 133 MHz

The EXP237 is a 6U VMEbus form factor expansion card offering three additional XMC/PMC expansion sites via an on-board connector designed to be compatible with many VMEbus single board computers from GE Intelligent Platforms.

A unique feature of this expansion card is the option to include the ATI Radeon E2400 Graphics Processing Unit in place of one of the XMC/PMC sites providing 2D, 3D, and multimedia graphics performance for embedded systems.

Features of this Graphics Processing Unit include:

- 64-bit interface to 128 Mbyte GDDR3 memory

- Native PCI Express x16 bus interface with flexibility to operate in x16 and x8 modes
- Dual Analog/Digital video interface

### Simple Connection to the Host

Connection to the host is via PCI Express through on-board connectors. The PCIe connection can be either x16 or x8 depending upon the host SBC.

Please contact GE Intelligent Platforms for further information.



# EXP237 XMC Expansion Card for VME Systems

## Specifications

### Components

- PCIe Switch: PEX8648
- Optional ATI Radeon E2400 Graphics Processing Unit

### Board-to-Board Connector

- Either x16 or x8 PCIe based on Host Processor Board
- Power and reset signals

### Board Configurations

- Three XMC/PMC sites
  - One 133 MHz
  - Two 100 MHz
- Two XMC/PMC sites + two DVI/VGA and one composite video
  - Two 133 MHz
  - One USB with the V7875

### MTBF

- Contact Factory

### Dimensions

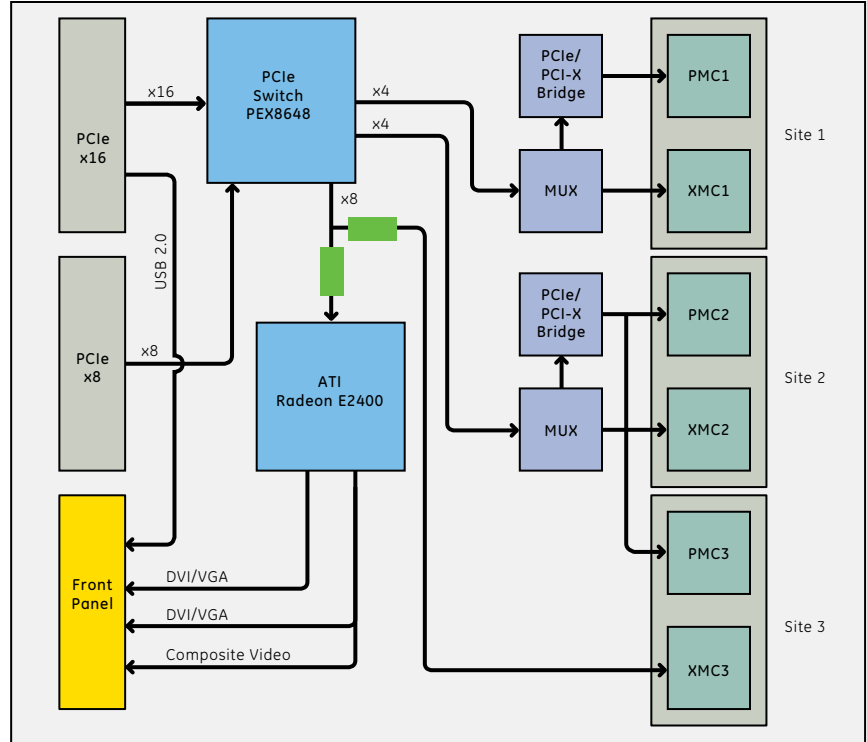
- 6U (4HP) single slot Eurocard form factor
- Height: 9.2 in. (233.4mm)
- Depth: 6.3 in. (160mm)
- Thickness: 0.8 in. (20.3mm)

### Power Requirements

- +5 VDC (±5 percent), 3 A (typical), 4 A (maximum)
- +12 VDC (±5 percent), 0 mA
- -12 VDC (±5 percent), 0 mA

Note: Does not include PMC site for power requirements

## Block Diagram



## Level 1 Environmentals

Cooling Method	Convection
Conformal Coating	Optional
High/Low Temperature	0° to 55° C
Storage Temperature	-50° to 100° C
Shock	20 g shock
Random Vibration	5 Hz to 100 Hz PSD increasing at 3 dB/octave 100 Hz to 1000 Hz PSD = 0.04g <sup>2</sup> /Hz 1000 Hz to 2000 Hz PSD decreasing at 6 dB/octave
Humidity	Operating: relative humidity 5% to 95%, noncondensing Storage: relative humidity 5% to 95%, noncondensing
Altitude	Operating: 0 – 10,000 ft (3,000m) Storage: 0 – 40,000 ft (12,000m)

## Ordering Information

- EXP237-100000** Three PMC/XMC sites with x8 and x16 connectors
- EXP237-200000** DVI/VGA video and composite video with x8 and x16 connectors
- EXP237-300000** Three PMC/XMC sites with x8 connector
- EXP237-400000** DVI/VGA video and composite video with x8 connector

## GE Intelligent Platforms Contact Information

Americas: **1 800 433 2682** or **1 434 978 5100**

Global regional phone numbers are listed by location on our web site at [www.ge-ip.com/contact](http://www.ge-ip.com/contact)

[www.ge-ip.com](http://www.ge-ip.com)

