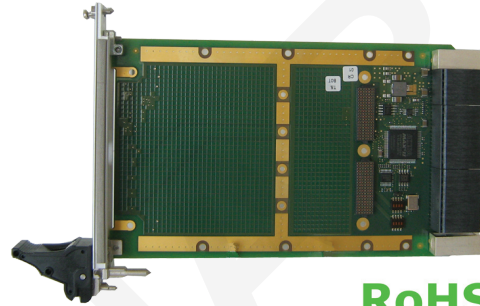


IC-XMC-VPX3a

XMC carrier board - VPX 3U

The **IC-XMC-VPX3a** is designed to expand VPX systems capabilities with XMC boards (single board computers, graphic or IO modules).



Description

The **IC-XMC-VPX3a** is designed to carry an XMC board. Populated with a processor XMC board, the **IC-XMC-VPX3a** can act as a System controller module.

Eight lanes are routed from the VPX backplane to the XMC pn5 connector offering thus up to the full PCI Express x8 bandwidth.

All the 64 IOs of the of the XMC Pn6 IOs connector are routed to the VPX P2 backplane connector.

The **IC-XMC-VPX3a** is powered from VS3 (5V) which is also used to deliver the VPWR for the XMC module. VS2 and auxillary supplies are not used but can be monitored when acting as System Controller.

The **IC-XMC-VPX-3a** provides 100MHz XMC reference clock to the XMC module and can provide the 25MHz reference clock to the VPX backlane (System controller).

Five Leds are available on the front panel to report :

- ▶ IC-XMC-VPX3a reset status
- ▶ XMC board Buil-in self test status
- ▶ System controller status
- ▶ NVMRO status
- ▶ one spare

The **IC-XMC-VPX3a** is a VPX 3U / 4HP (0.8") board compliant with 3U module definition of the VITA 46.0 standard. It can also be provided with 5TE front panel (1" slot pitch)

Main features

Interfaces

Utility plane :

- ▶ Power supplies,
- ▶ Reset, NVMRO
- ▶ Reference clock

Data plane

- ▶ 8 lanes from VPX P1 to XMC Jn5

Expansion plane :

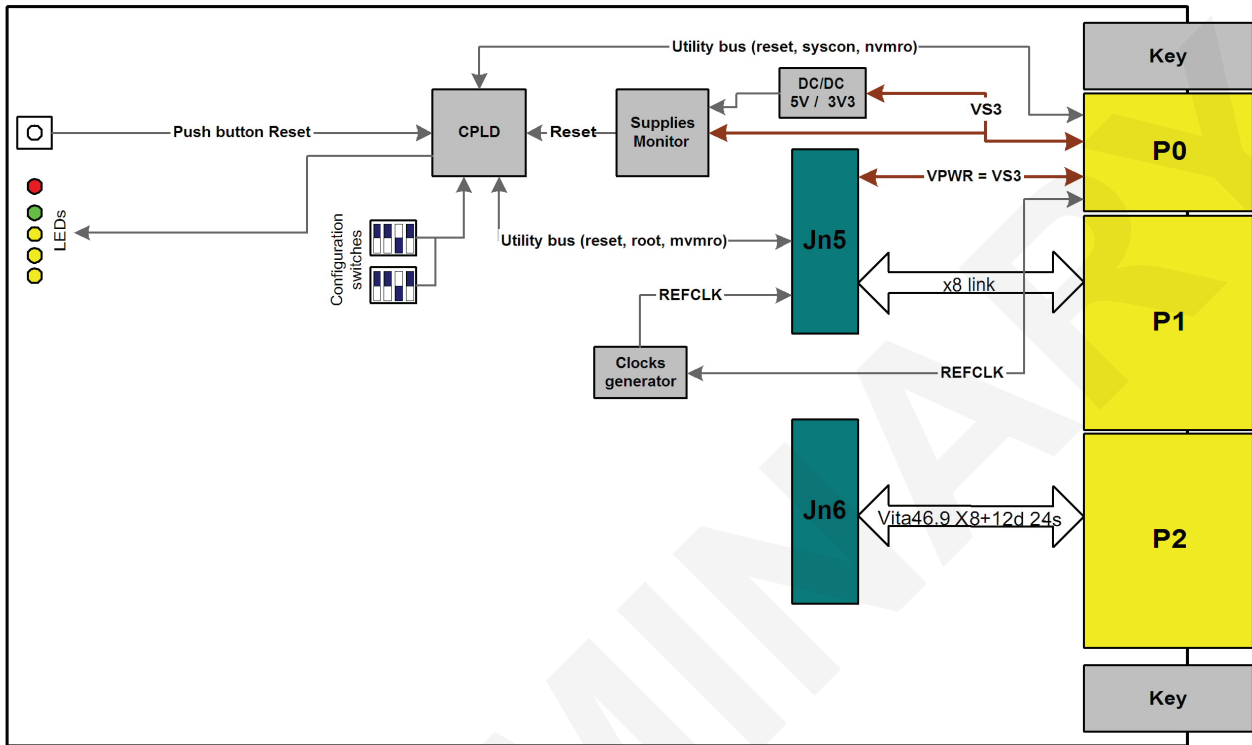
- ▶ 64 XMC IOs from Jn6 to VPX P2

IC-XMC-VPX3a is available in standard, extended, rugged and conduction-cooled grades. (TBC)

IC-XMC-VPX3a

XMC carrier board VPX 3U

Block Diagram



Interface features

Front connectors :

- ▶ Reset button
- ▶ 5 Leds (1 x green, 1 x red, 3 x yellow)

P0 connector

- ▶ Power supplies,
- ▶ Reset, NVMRO
- ▶ Reference clock

P1 connector

- ▶ 8 lanes linked to the XMC Pn5 connector

P2 connector

- ▶ 64 IOs of the XMC Pn6 connector routed to the VPX P2 connector

Environnement Specifications:

Please consult the IC-XMC-VPX3a page at www.interfaceconcept.com.

Ordering Information:

Please contact our sales department : tel. +33 (0)2 98 573 030 - email : info@interfaceconcept.com

This document supersedes any earlier documentation relating to the products referred to herein. The information contained in this document is current at the date of publication. It may subsequently be updated or withdrawn without notice.